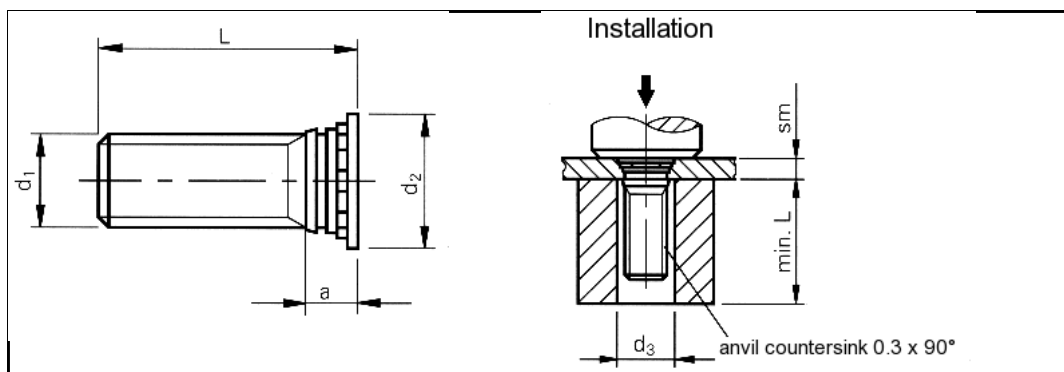


## Data sheet - FHS-M4-20

### Self-clinching flush head studs



3D-Data available	
Order description	FHS-M4-20
Thread d1	M4
Hole-Ø in the sheet +0.08 0	4.0 mm
d2 ±0.4	5.9 mm
d3	4.1 mm
Max. a	2.4 mm
Min. sm	1.0 mm
L ±0.4	20 mm
Min. edge distance up to the hole centre	7.2 mm
Material	Passivated grade 18/8 stainless steel (AISI 300).
Use	For sheet hardnesses up to HRB 70.
Information	For thin sheet applications with 0.5 mm use Types TFH (M3 to M5).
Tools	
Insertion machines	

uniform resource locator: